



art metal

22M SATURN

F.P.H. Art Metal Sp.j.

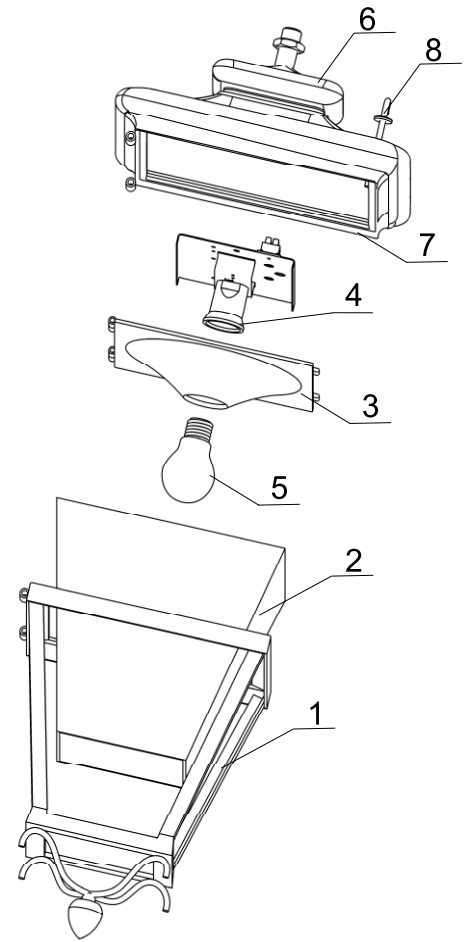
Ul. Jabłoniowa 124, 83-331 Łapino Kartuskie, Poland
Tel. 0048 58 681 80 78, Fax: 0048 58 681 80 64
www.art-metal.pl e-mail: biuro@art.-metal.pl

Construcion:

The unit consists of a metal basket(1) which holds a shade(2)
A reflector(3) is attached to the basket. A tray with lampholder(4) are mounted on the reflector. A lamp is fitted into the lampholder(5). The metal basket(1) is closed with a decorative top cover(6). Gaskets(7) make the unit weather-tight(7). A lyre-shaped mounting holder mounted on the basket from the bottom is used to attach the unit to a pole or a bracket.

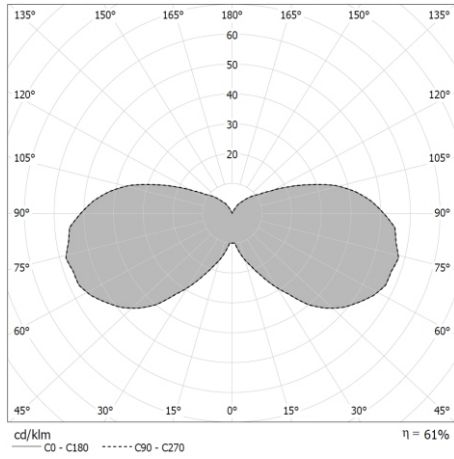
Mounting instruction:

- *) - Put the shade (2) into the basket (1).
- Attach the tray with the lampholder (4) to the reflector (3).
- Put the lamp (9) in position.
- Connect the electrical cables to the connector.
- Close decorative top cover(6) and secure with bolt(8).



If any lantern elements are supplied factory-mounted, the mounting stages marked with *) should be omitted (as this has already been done by the manufacturer)

TECHNICAL DATA:



Photometry (polar plot)

Power: ~230/50Hz

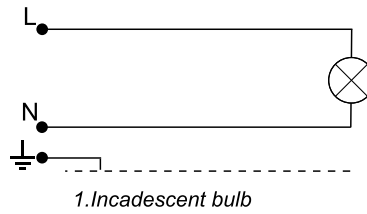
Protective class: I

IP65 -electrical part

IP65 -optical part



ELECTRICAL DIAGRAM:



1.Incandescent bulb

Type	Light-producing element	Lamp holder	Weight [kg]	Pn [W]	Luminary dimensions	
22M Z-E/Z	Bulb / MINI - LINX	E27	2,5	Maks. 60		
					Wind area $A = 0,1m^2$	H/A 420/320

WARNING !! The weight of the unit may slightly differ for individual production batches.

