

POLE W11

Construction:

The load-bearing structure of the W11 post consists of two parallel pipes with a diameter of $\text{Ø}60 \times 3,2$, connected at the top with the help of a connecting element.

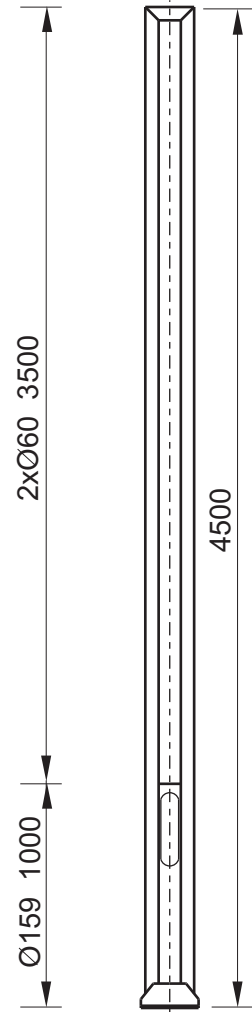
At the bottom of the post, the pipes are attached to a square mounting flange.

Luminaires are mounted onto the post with the help of additional arms.

Directly on the mounting flange, between the pipes of the post, there is a connecting cubicle made from a square pipe, fitted with an access door locked with the help of a bolt. Inside the cubicle, there is a rack that enables one to install a connecting panel.

Anchorage

The post should be mounted on an F100 foundation with a 190×190 spacing of four M20 mounting bolts.



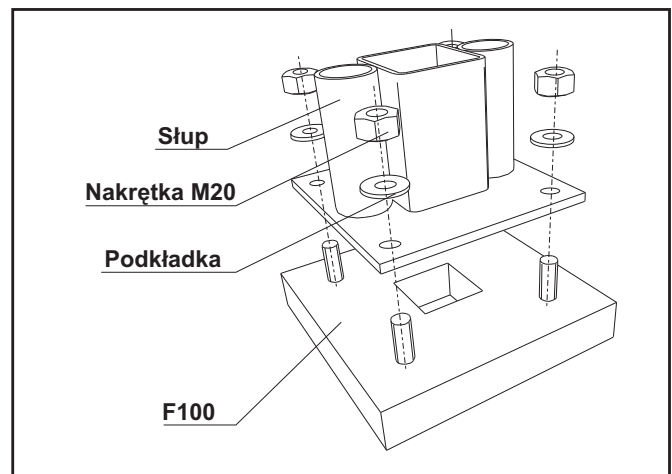
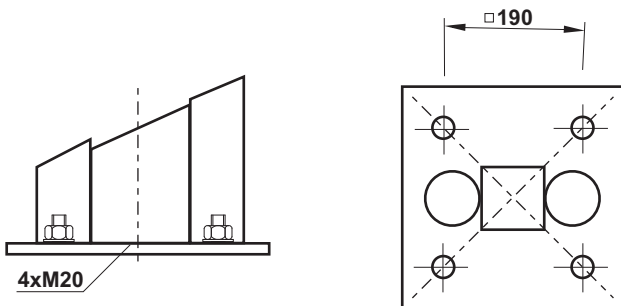
TECHNICAL INFORMATION:

Maximum side area mounting on the top of pole are **0,7 m²**
 (area simetrically to the pole axis).

Maximum weight on the top of pole **80 kg**.

Parameters calculated for wind area "I" (20m/s) according to PN-77/B-02011

ANCHORAGE:



Doc. Signature: S-0W11-03

Last revision: 2006.12.05